

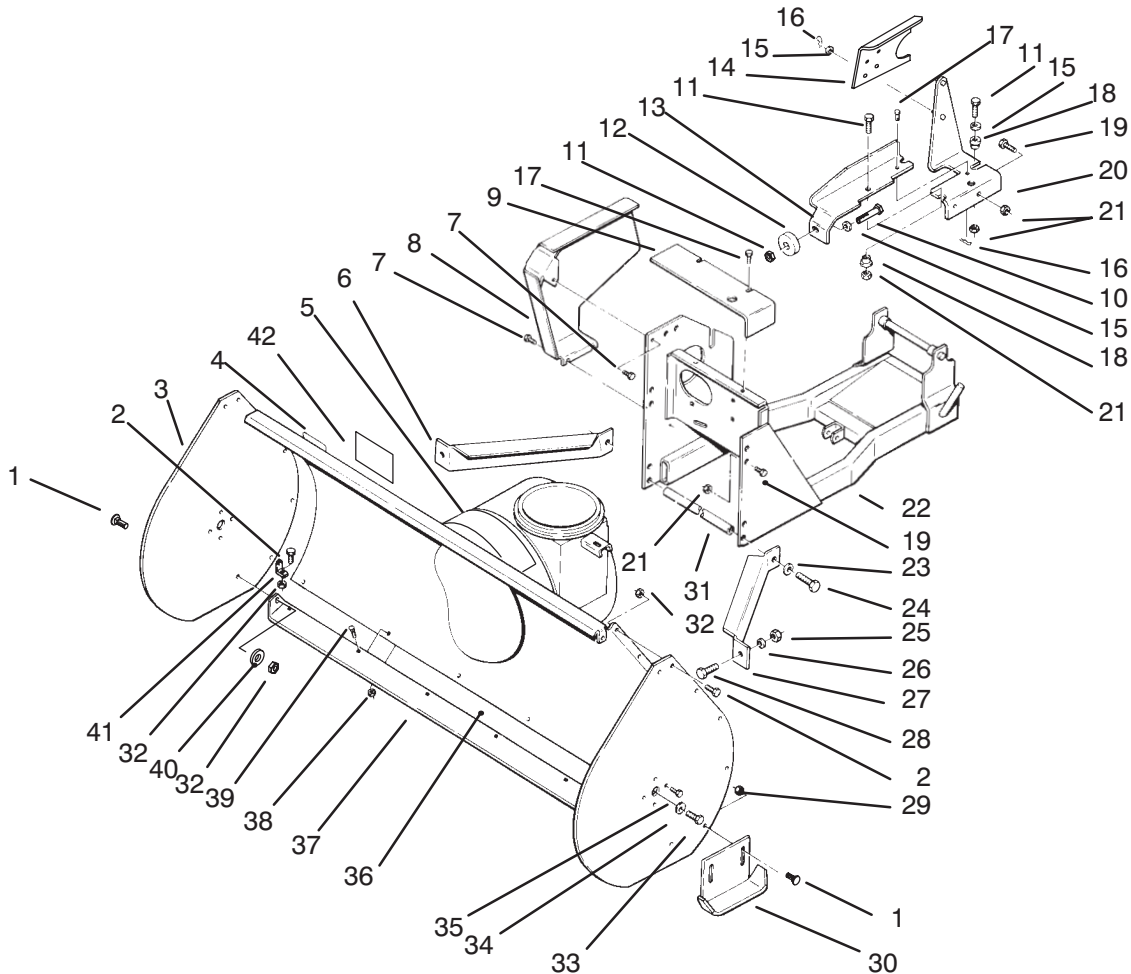


MODEL NO. 79361-5900001 & UP

PARTS
CATALOG

44" Two Stage Snowthrower

WHEEL HORSE® Garden Tractors

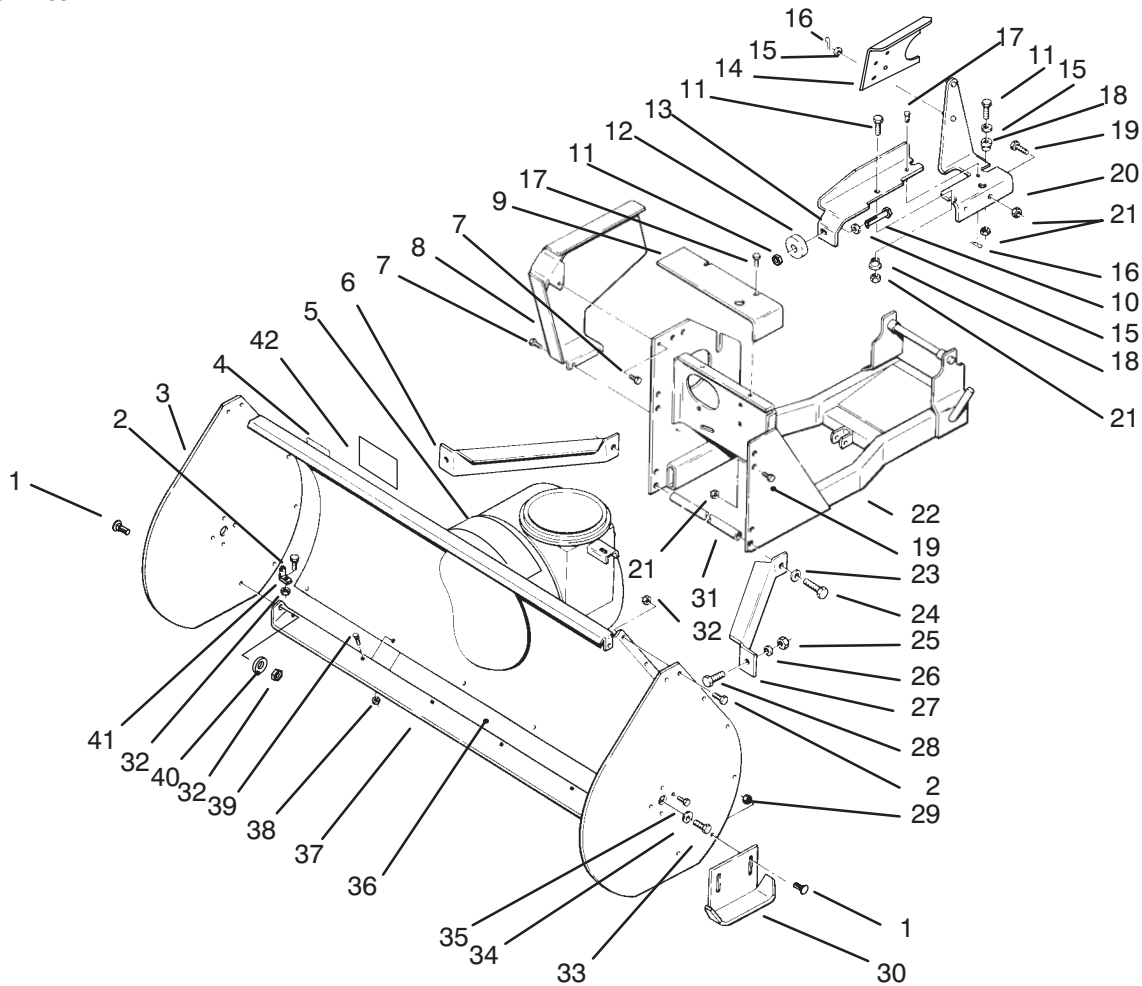


C-1765

AUGER HOUSING ASSEMBLY

Ref. No.	Part No.	Description	No. Used
1	3230-2	Bolt - Carriage	4
2	322-3	Bolt	24
3	57-3510	Plate - Side	2
4	63-2380	Decal - Danger	2
5	92-8748	Decal - Attachment	1
6	117224	Brace - R.H.	1
7	9266714	Bolt	3
8	117553	Cover - Belt Rear	1
9	117540	Guard - Chain	1
10	9266934	Bolt	2
11	323-7	Bolt	3
12	101017	Lock	1
13	79-2530	Bracket - Bumper	1
14	117552	Guard - Belt	1

Ref. No.	Part No.	Description	No. Used
15	3256-24	Washer	4
16	9335044	Cotter - Hairpin	3
17	932961	Pin - Clevis	1
18	104859	Spacer	2
19	323-6	Bolt - Nylok	8
20	117550	Bracket - Guard	1
21	3296-39	Nut - Lock	10
22	117434	Frame	1
23	3253-6	Washer - Lock	2
24	324-5	Bolt	2
25	3296-48	Nut - Lock	2
26	3256-25	Washer	2
27	117223	Brace - L.H.	1
28	3232-1	Bolt - Carriage	2

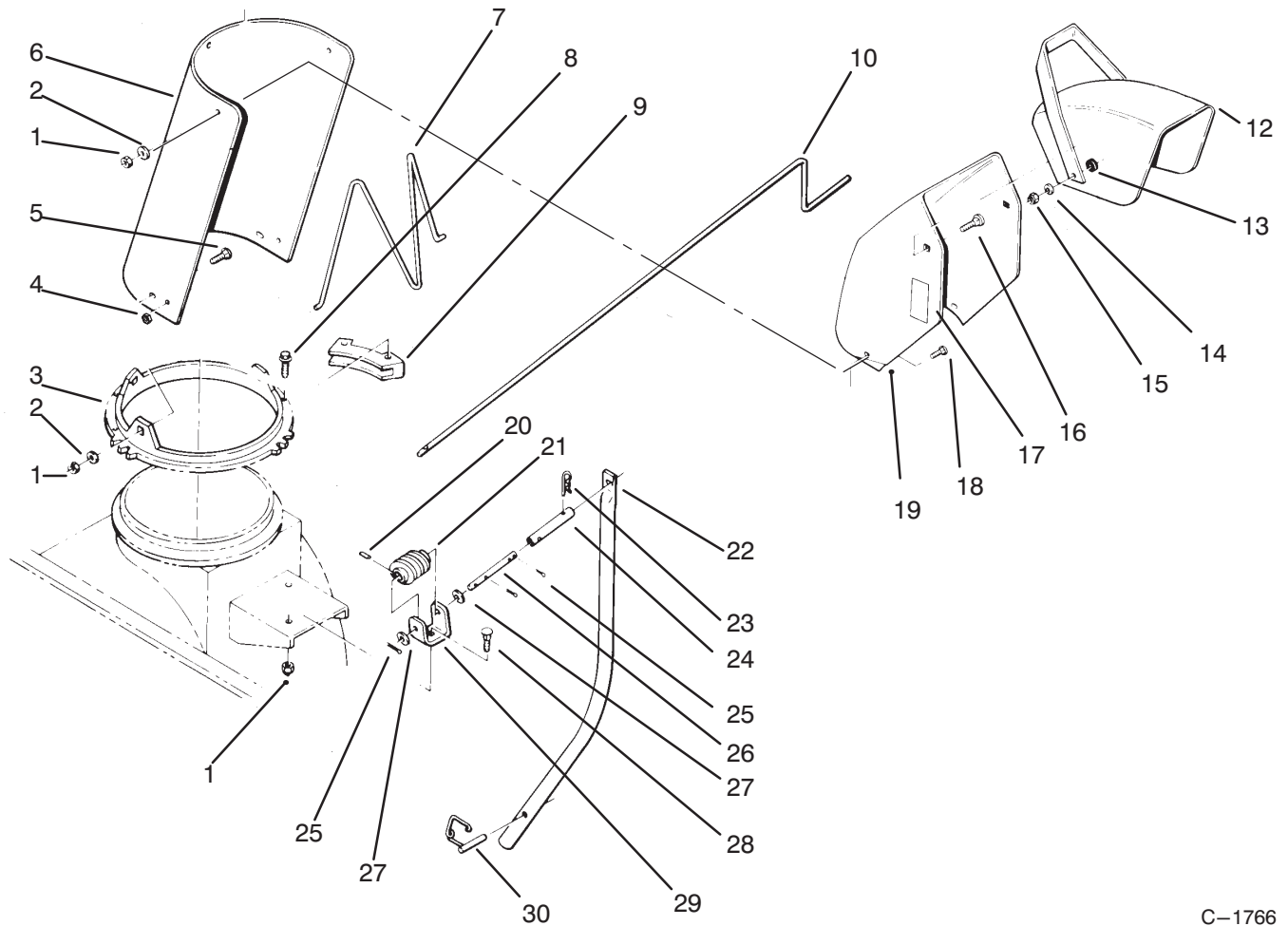


C-1765

AUGER HOUSING ASSEMBLY (CONTINUED)

Ref. No.	Part No.	Description	No. Used
30	78-0800	Skid	2
31	117220	Brace - Cross	1
32	3296-29	Nut - Lock	28
33	3235-22	Screw	2
34	2844	Washer	2
35	321-4	Bolt	8
36	92-6334	Housing - Auger (Incl. Ref. #4 & 42)	1

Ref. No.	Part No.	Description	No. Used
37	79-6670	Blade - Scraper	1
38	3296-42	Nut - Lock	6
39	3229-25	Bolt - Carriage	6
40	3256-23	Washer	2
41	57-9890	Bracket - Blade Support	2
42	92-8652	Decal - Warning	1

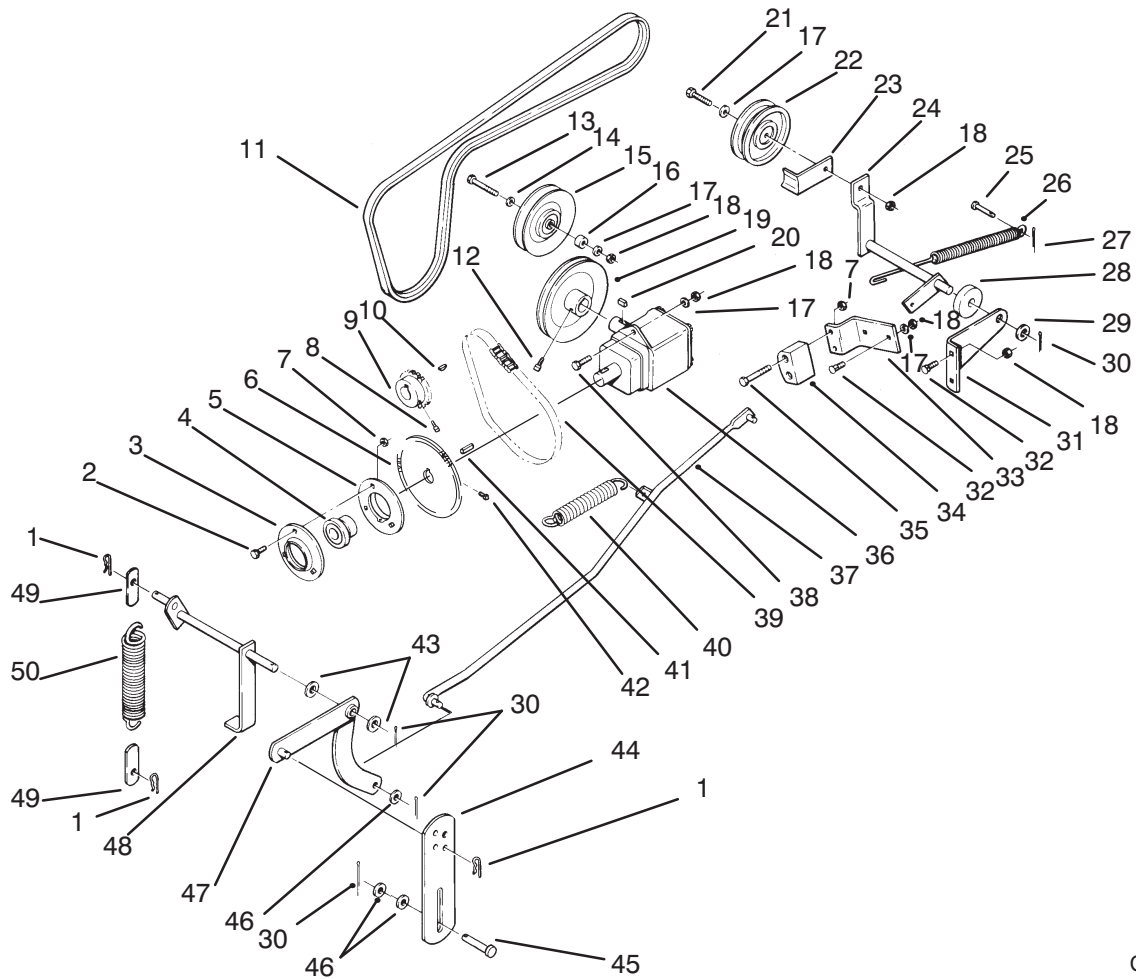


C-1766

CHUTE ASSEMBLY

Ref. No.	Part No.	Description	No. Used
1	3296-29	Nut - Lock	7
2	3256-23	Washer	6
3	25-5290	Ring - Chute Swivel	1
4	3290-326	Nut - Push	2
5	3230-15	Bolt - Carriage	3
6	26-1110-01	Extension - Chute	1
7	12-2040	Wire - Chute	1
8	27-0220	Screw - Special	6
9	25-5450	Chute - Retainer	3
10	51-2650	Crank	1
12	11-9349-01	Deflector	1
13	20-4320	Washer - Rubber	2
14	3290-340	Washer - Belleville	2
15	3296-39	Nut - Lock	2
16	3231-2	Bolt - Carriage	2

Ref. No.	Part No.	Description	No. Used
17	63-3740	Decal - Discharge Danger	2
18	322-2	Bolt - Hex. Hd.	3
19	92-6335-01	Chute - Upper Discharge (Incl. Ref. #17)	1
20	32121-50	Pin - Roll	1
21	8-8600	Gear - Worm	1
22	119030	Support - Crank	1
23	9335054	Cotter - Hairpin	1
24	117538	Coupling	1
25	3272-10	Pin - Cotter	3
26	117529	Rod - Lower	1
27	3256-24	Washer	2
28	3230-1	Bolt - Carriage	1
29	49-6720	Bracket	1
30	111314	Pin - Lock	1

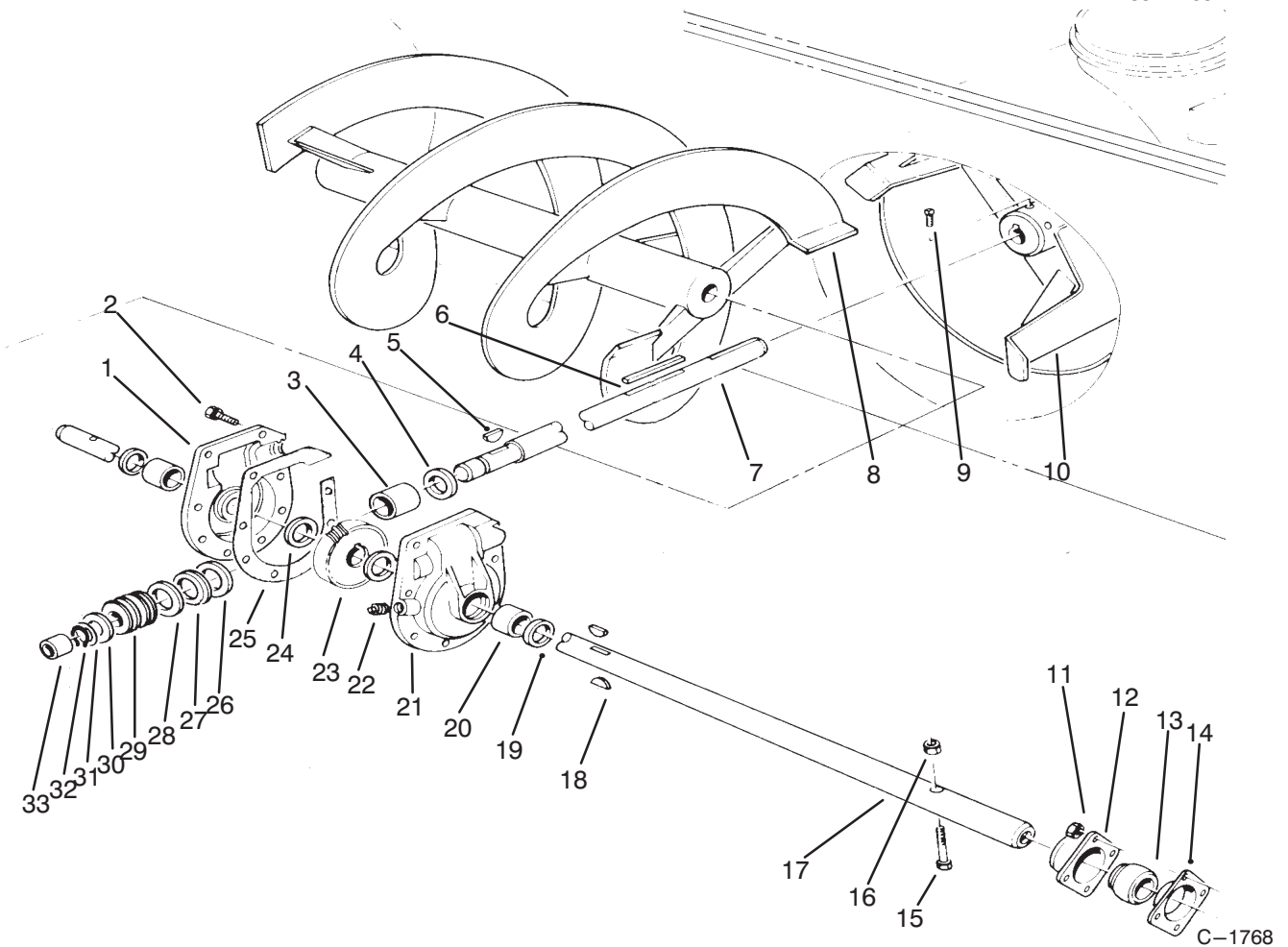


C-1767

GEAR CASE AND BELT ASSEMBLY

Ref. No.	Part No.	Description	No. Used
1	933505	Pin – Cotter	3
2	3230-1	Bolt – Carriage	3
3	110568	Flange	1
4	110569	Bearing & Collar	1
5	119020	Flange w/Grease Fitting	1
6	116919	Sprocket	1
7	3296-29	Nut – Lock	5
8	3241-5	Screw – Set	2
9	117338	Sprocket	1
10	937221	Key	1
11	116332	Belt – Drive	1
12	3242-2	Screw – Set	2
13	323-10	Bolt	1
14	2844	Washer	1
15	92-7099	Pulley – Idler	1
16	106887	Spacer	1
17	3256-24	Washer	6
18	3296-39	Nut – Lock	8
19	92-5769	Pulley – Gearbox	1
20	937089	Key	1
21	323-8	Bolt	1
22	116859	Pulley – Flat Idler	1
23	7450	Bracket – Belt Guard	1
24	117546	Arm – Idler	1
25	283-10	Pin – Clevis	1

Ref. No.	Part No.	Description	No. Used
26	117545	Spring	1
27	3272-10	Pin – Cotter	1
28	117770	Washer – Rubber	1
29	3256-27	Washer	1
30	3272-11	Pin – Cotter	4
31	117544	Bracket – Pivot	1
32	3231-2	Bolt – Carriage	4
33	117517	Bracket	1
34	108959	Tightener – Chain	1
35	322-10	Bolt	2
36	116938	Gearbox	1
37	117556	Rod – Lift	1
38	3231-25	Bolt – Carriage	2
39	117447	Chain	1
40	110614	Spring	1
41	6366	Key	1
42	3242-6	Screw – Sq. Hd. Set	2
43	9202624	Washer	2
44	117219	Link – Lift	1
45	933001	Pin – Clevis	1
46	3256-26	Washer	3
47	117543	Arm – Lift	1
48	116906	Support – Spring	1
49	117539	Retainer – Spring	2
50	4629	Spring	1



C-1768

AUGER ASSEMBLY

Ref. No.	Part No.	Description	No. Used
1	14-2449	Gear Case, R.H. Half (Incl. Ref. #19 & 20)	1
2	32144-41	Screw - Thread Forming	8
3	20-3210	Bushing	1
4	237-87	Seal	1
5	3257-23	Key - Woodruff	1
6	6-8590	Key - Square	1
7	19-8540	Shaft - Impeller	1
8	57-3300	Auger - R.H.	1
*	57-3370	Auger - L.H.	1
9	3242-6	Screw - Sq. Hd. Set	2
10	19-8890	Impeller	1
11	3296-42	Nut - Lock	8
12	20-0990	Flange - Bearing Front	2
13	20-0980	Bearing	2
14	20-1000	Flange - Bearing Rear	2
15	322-14	Bolt	2
16	3296-29	Nut - Lock	2

Ref. No.	Part No.	Description	No. Used
17	57-3500	Shaft - Auger	1
18	3257-33	Key - Woodruff	2
19	7-0045	Seal - Oil	2
20	256-237	Bushing	2
21	14-2459	Gear Case, L.H. Half (Incl. Ref. #19 & 20)	1
22	281-1	Plug - Pipe	1
23	5-7180	Gear - Worm	1
24	252-71	Bearing - Thrust	2
25	92-9839	Gasket	1
26	252-78	Washer - Thrust	1
27	252-76	Bearing - Thrust	1
28	252-77	Washer - Thrust	1
29	5-7170	Worm	1
30	3-8664	Washer - Thrust	1
31	5210	Shim	1
32	936125	Ring - Retaining	1
33	256-32	Bushing	1

*Not Illustrated

TORO PART NUMBER INDEX

3317-537

Part No.	Description	Pg. Ref. No. No. Qty.	Part No.	Description	Pg. Ref. No. No. Qty.
2844	Washer	4 14 1	12-2040	Wire - Chute	3 7 1
2844	Washer	2 34 2	14-2449	Gear Case, R.H. Half	5 1 1
4629	Spring	4 50 1	14-2459	Gear Case, L.H. Half	5 21 1
5210	Shim	5 31 1	19-8540	Shaft - Impeller	5 7 1
6366	Key	4 41 1	19-8890	Impeller	5 10 1
7450	Bracket - Belt Guard	4 23 1	20-0980	Bearing	5 13 2
101017	Lock	1 12 1	20-0990	Flange - Bearing Front	5 12 2
104859	Spacer	1 18 2	20-1000	Flange - Bearing Rear	5 14 2
106887	Spacer	4 16 1	20-3210	Bushing	5 3 1
108959	Tightener - Chain	4 34 1	20-4320	Washer - Rubber	3 13 2
110568	Flange	4 3 1	25-5290	Ring - Chute Swivel	3 3 1
110569	Bearing & Collar	4 4 1	25-5450	Chute - Retainer	3 9 3
110614	Spring	4 40 1	26-1110-01	Extension - Chute	3 6 1
111314	Pin - Lock	3 30 1	27-0220	Screw - Special	3 8 6
116332	Belt - Drive	4 11 1	49-6720	Bracket	3 29 1
116859	Pulley - Flat Idler	4 22 1	51-2650	Crank	3 10 1
116906	Support - Spring	4 48 1	57-3300	Auger - R.H.	5 8 1
116919	Sprocket	4 6 1	57-3370	Auger - L.H.	5 * 1
116938	Gearbox	4 36 1	57-3500	Shaft - Auger	5 17 1
117219	Link - Lift	4 44 1	57-3510	Plate - Side	1 3 2
117220	Brace - Cross	2 31 1	57-9890	Bracket - Blade Support	2 41 2
117223	Brace - L.H.	1 27 1	63-2380	Decal - Danger	1 4 2
117224	Brace - R.H.	1 6 1	63-3740	Decal - Discharge Danger	3 17 2
117338	Sprocket	4 9 1	78-0800	Skid	2 30 2
117434	Frame	1 22 1	79-2530	Bracket - Bumper	1 13 1
117447	Chain	4 39 1	79-6670	Blade - Scraper	2 37 1
117517	Bracket	4 33 1	92-5769	Pulley - Gearbox	4 19 1
117529	Rod - Lower	3 26 1	92-6334	Housing - Auger	2 36 1
117538	Coupling	3 24 1	92-6335-01	Chute - Upper Discharge	3 19 1
117539	Retainer - Spring	4 49 2	92-7099	Pulley - Idler	4 15 1
117540	Guard - Chain	1 9 1	92-8652	Decal - Warning	2 42 1
117543	Arm - Lift	4 47 1	92-8748	Decal - Attachment	1 5 1
117544	Bracket - Pivot	4 31 1	92-9839	Gasket	5 25 1
117545	Spring	4 26 1	237-87	Seal	5 4 1
117546	Arm - Idler	4 24 1	252-71	Bearing - Thrust	5 24 2
117550	Bracket - Guard	1 20 1	252-76	Bearing - Thrust	5 27 1
117552	Guard - Belt	1 14 1	252-77	Washer - Thrust	5 28 1
117553	Cover - Belt Rear	1 8 1	252-78	Washer - Thrust	5 26 1
117556	Rod - Lift	4 37 1	256-32	Bushing	5 33 1
117770	Washer - Rubber	4 28 1	256-237	Bushing	5 20 2
119020	Flange w/Grease Fitting	4 5 1	281-1	Plug - Pipe	5 22 1
119030	Support - Crank	3 22 1	283-10	Pin - Clevis	4 25 1
932961	Pin - Clevis	1 17 1	321-4	Bolt	2 35 8
933001	Pin - Clevis	4 45 1	322-2	Bolt - Hex. Hd.	3 18 3
933505	Pin - Cotter	4 1 3	322-3	Bolt	1 2 24
936125	Ring - Retaining	5 32 1	322-10	Bolt	4 35 2
937089	Key	4 20 1	322-14	Bolt	5 15 2
937221	Key	4 10 1	323-6	Bolt - Nylok	1 19 8
9202624	Washer	4 43 2	323-7	Bolt	1 11 3
9266714	Bolt	1 7 3	323-8	Bolt	4 21 1
9266934	Bolt	1 10 2	323-10	Bolt	4 13 1
9335044	Cotter - Hairpin	1 16 3	324-5	Bolt	1 24 2
9335054	Cotter - Hairpin	3 23 1	3229-25	Bolt - Carriage	2 39 6
3-8664	Washer - Thrust	5 30 1	3230-1	Bolt - Carriage	4 2 3
5-7170	Worm	5 29 1	3230-1	Bolt - Carriage	3 28 1
5-7180	Gear - Worm	5 23 1	3230-2	Bolt - Carriage	1 1 4
6-8590	Key - Square	5 6 1	3230-15	Bolt - Carriage	3 5 3
7-0045	Seal - Oil	5 19 2	3231-2	Bolt - Carriage	3 16 2
8-8600	Gear - Worm	3 21 1	3231-2	Bolt - Carriage	4 32 4
11-9349-01	Deflector	3 12 1	3231-25	Bolt - Carriage	4 38 2

*Not Illustrated

TORO PART NUMBER INDEX (Cont.)

3315-000

Part No.	Description	Pg. Ref. No. No. Qty.	Part No.	Description	Pg. Ref. No. No. Qty.
3232-1	Bolt - Carriage	1 28 2	3272-10	Pin - Cotter	3 25 3
3235-22	Screw	2 33 2	3272-10	Pin - Cotter	4 27 1
3241-5	Screw - Set	4 8 2	3272-11	Pin - Cotter	4 30 4
3242-2	Screw - Set	4 12 2	3290-326	Nut - Push	3 4 2
3242-6	Screw - Sq. Hd. Set	5 9 2	3290-340	Washer - Belleville	3 14 2
3242-6	Screw - Sq. Hd. Set	4 42 2	3296-29	Nut - Lock	3 1 7
3253-6	Washer - Lock	1 23 2	3296-29	Nut - Lock	4 7 5
3256-23	Washer	3 2 6	3296-29	Nut - Lock	5 16 2
3256-23	Washer	2 40 2	3296-29	Nut - Lock	2 32 28
3256-24	Washer	1 15 4	3296-39	Nut - Lock	3 15 2
3256-24	Washer	4 17 6	3296-39	Nut - Lock	4 18 8
3256-24	Washer	3 27 2	3296-39	Nut - Lock	1 21 10
3256-25	Washer	1 26 2	3296-42	Nut - Lock	5 11 8
3256-26	Washer	4 46 3	3296-42	Nut - Lock	2 38 6
3256-27	Washer	4 29 1	3296-48	Nut - Lock	1 25 2
3257-23	Key - Woodruff	5 5 1	32121-50	Pin - Roll	3 20 1
3257-33	Key - Woodruff	5 18 2	32144-41	Screw - Thread Forming	5 2 8

